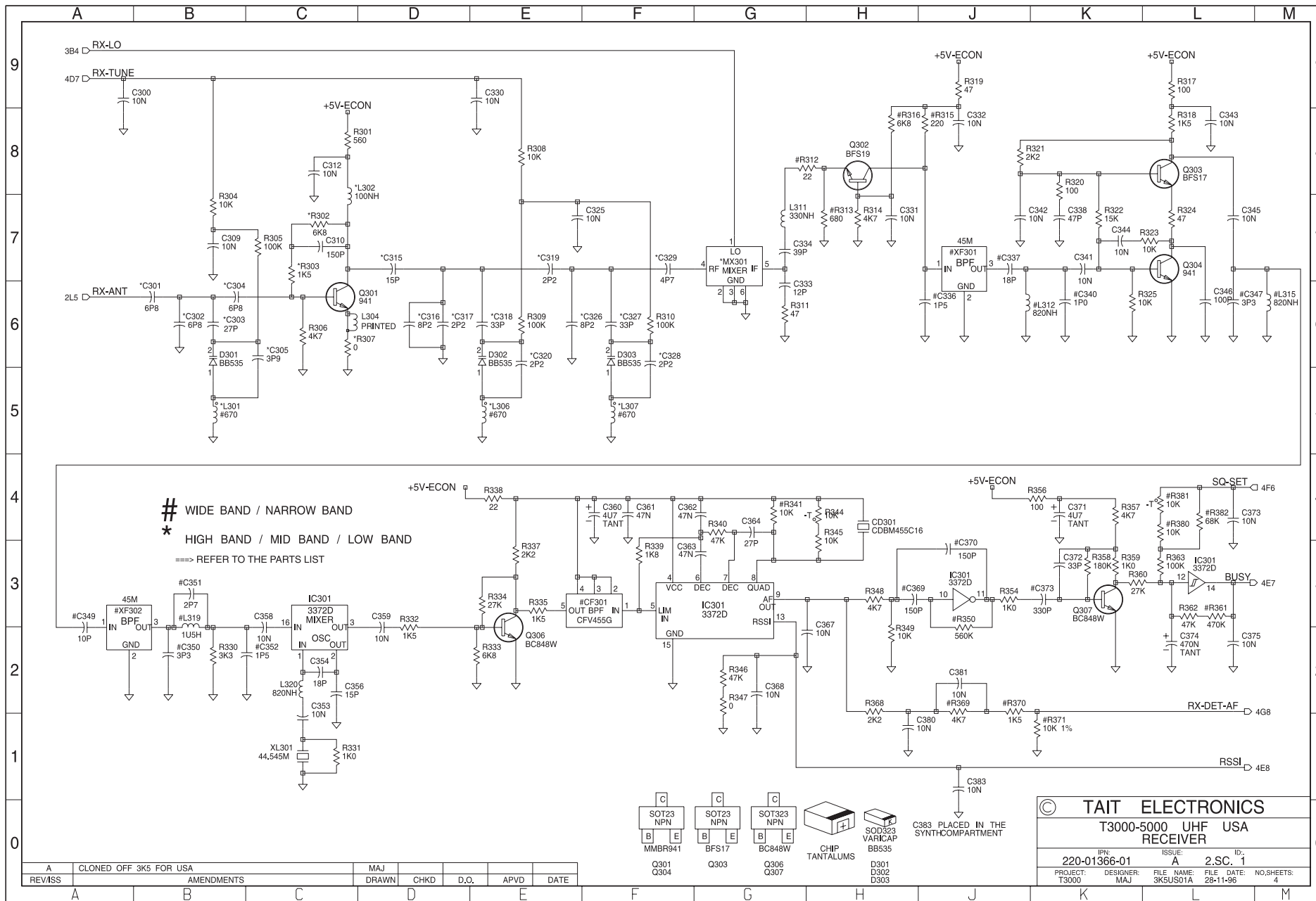


A	CLONED OFF 3K5 FOR USA	MAJ				
REV/ISS	AMENDMENTS	DRAWN	CHKD	D.O.	APVD	DATE

© TAIT ELECTRONICS			
T3000-5000 UHF USA INTERCONNECTION DIAGRAM			
IPN:	ISSUE:	ID:	
220-01366-01	A	2.SC. 0	
PROJECT:	DESIGNER:	FILE NAME:	FILE DATE:
T3000	MAJ	3K5US01A	28-11-96
NO. SHEETS:		4	

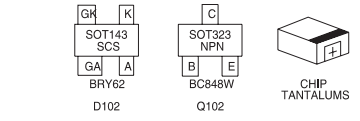
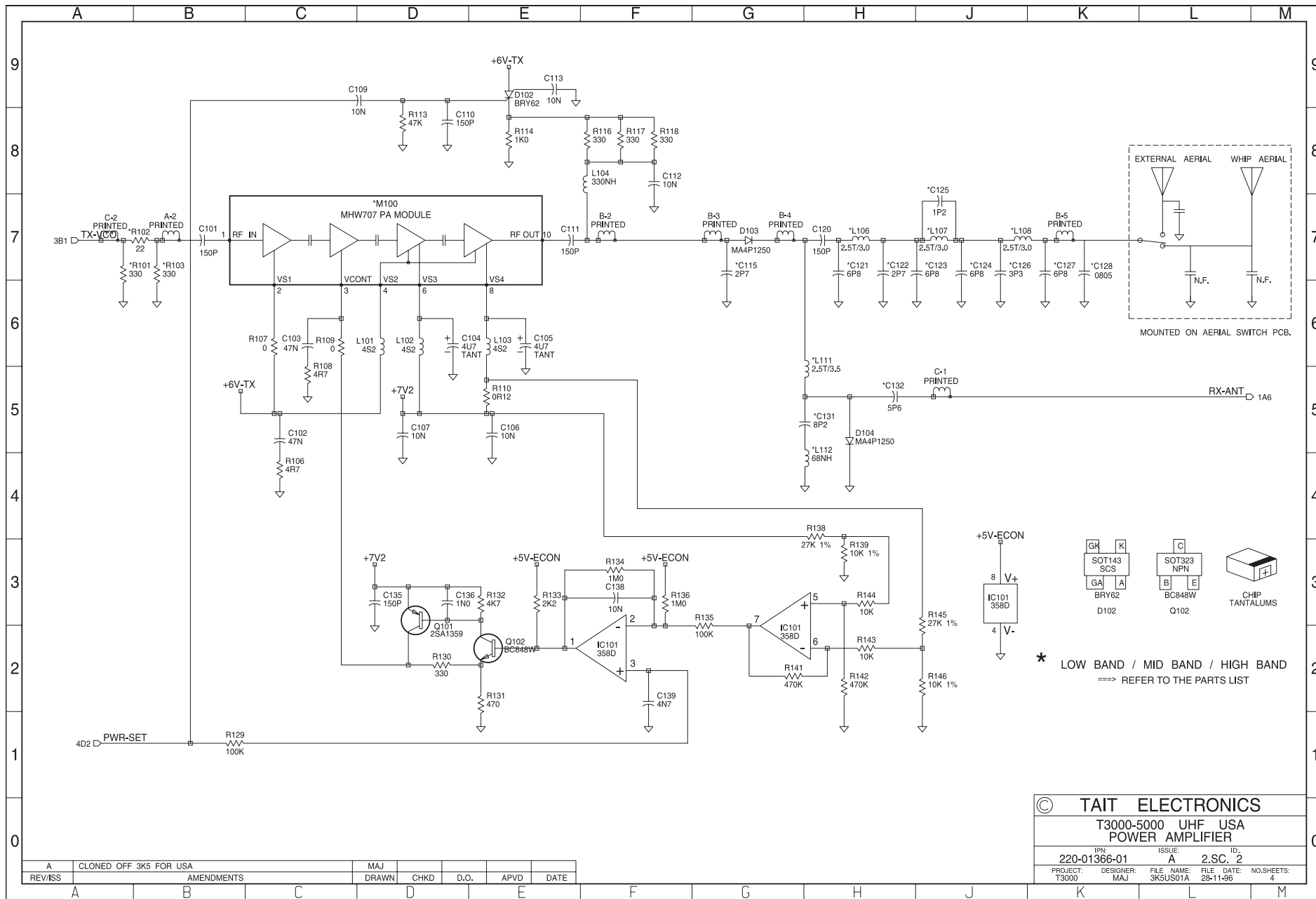




© TAIT ELECTRONICS  
 T3000-5000 UHF USA RECEIVER

IPN: 220-01366-01	ISSUE: A	ID: 2.SC. 1
PROJECT: T3000	DESIGNER: MAJ	FILE NAME: 3K5US01A
	FILE DATE: 28-11-96	NO. SHEETS: 4





\* LOW BAND / MID BAND / HIGH BAND  
 ==> REFER TO THE PARTS LIST

© TAIT ELECTRONICS			
T3000-5000 UHF USA POWER AMPLIFIER			
IPN:	ISSUE:	ID:	
220-01366-01	A	2.S.C. 2	
PROJECT:	DESIGNER:	FILE NAME:	FILE DATE:
T3000	MAJ	3K5US01A	28-11-96
			NO.SHEETS: 4

A	CLONED OFF 3K5 FOR USA	MAJ				
REV/ISS	AMENDMENTS	DRAWN	CHKD	D.O.	APVD	DATE

A B C D E F G H J K L M



